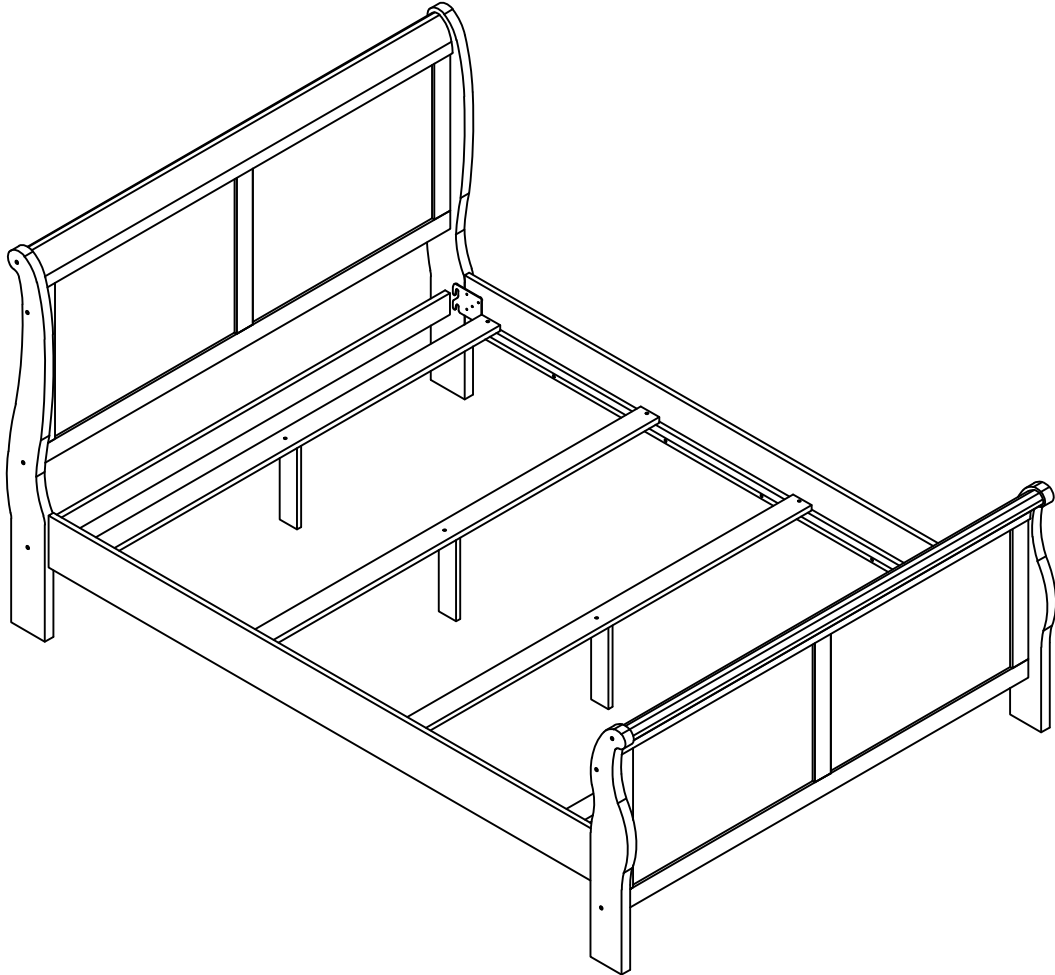


# ASSEMBLY INSTRUCTION

1

MODEL : #52691/ 52729/ 52731/ 52732 QUEEN BED





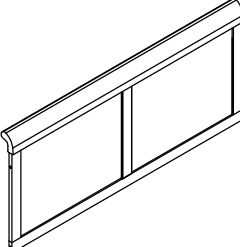
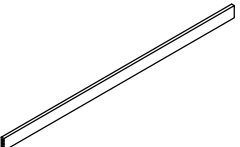


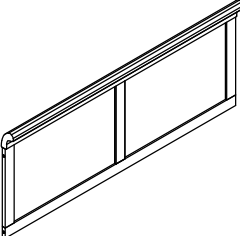
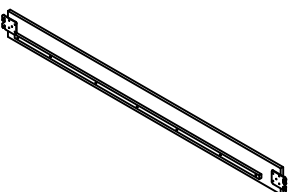
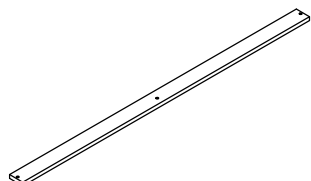

## SAFETY WARNINGS

1. Follow the information on the warning label appearing on the upper bunk end structure and on the carton... **Do not remove warning label from bed.**
2. Always use the recommended size mattress or mattress support, or both, to help prevent the likelihood of entrapment or falls.
3. Surface of mattress must be at least 5 inches below the upper edge of guard rails.
4. Do not allow children under 6 years to use the upper bunk.
5. Prohibit more than one person on upper bunk.
6. Periodically check and ensure that the guardrail, ladder, and other components are in their proper position, free from damage, and that all connectors are tight.
7. Do not allow horseplay on or under the bed and prohibit jumping on the bed.
8. Always use the ladder for entering and leaving upper bunk.
9. Do not use substitute part. Contact the manufacturer or dealer for replacement part.
10. Use of night light may provide added safety precaution for a child using the upper bunk.
11. If the bunk bed will be placed next to a wall, the guardrail that runs the full length of the bed should be placed against the wall to prevent entrapment between the bed and the wall.
12. Always use guardrail on both long sides of the upper bunk.
13. The use of water or sleep flotation mattresses is prohibited.
14. Keep these instruction for future reference.
15. Strangulation Hazard - Never attach or hang items to any part of the bunk bed that are not designed for use with the bed, for example, but not limited to hooks, belts and jump rores.

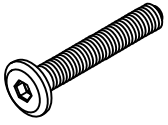

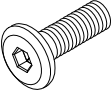



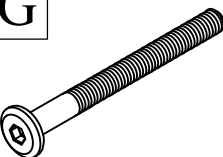
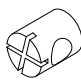
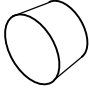

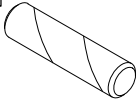
# ASSEMBLY INSTRUCTION

MODEL : #52691/ 52729/ 52731/ 52732 QUEEN BED

## PARTS LIST & ILLUSTRATION

<p>1</p>  <p>left leg (headboard) 1pc</p>	<p>2</p>  <p>Right leg (headboard) 1pc</p>	<p>3</p>  <p>Headboard panel 1pc</p>	<p>4</p>  <p>Support bar 1pc</p>
<p>5</p>  <p>left leg (footboard) 1pc</p>	<p>6</p>  <p>Right leg (footboard) 1pc</p>	<p>7</p>  <p>Footboard panel 1pc</p>	<p>8</p>  <p>Side rails 2pcs</p>
<p>9</p>  <p>Slats 4pcs</p>	<p>10</p>  <p>Support legs 4 pcs</p>		

## HARDWARE & ILLUSTRATION

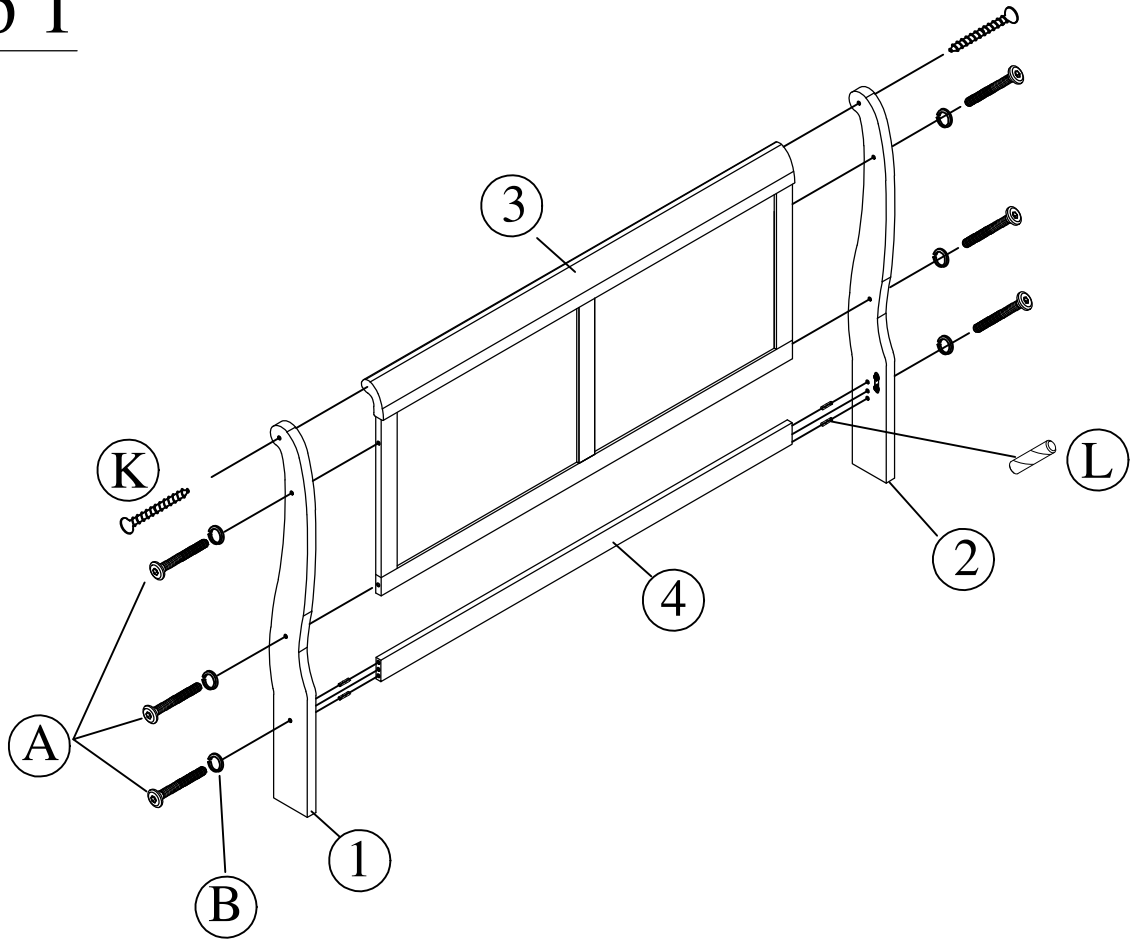
<p>A</p>  <p>Ø13 x 1/4 x 35 mm Allen bolts 10 pcs</p>	<p>B</p>  <p>Ø1/4" Lock Washer 10 pcs</p>	<p>C</p>  <p>Ø5/16" x L20 mm Allen Head bolts 8pcs</p>	<p>D</p>  <p>Ø5/16" Flat Washer 8 pcs</p>	<p>E</p>  <p>Ø5/16" Lock Washer 8 pcs</p>	
<p>F</p>  <p>Allen Key 1pc</p>	<p>G</p>  <p>Ø1/4" x L65mm Allen bolts 4 pcs</p>	<p>H</p>  <p>Ø10 x 1/4" x 12mm Horizontal-Hole bolts 4 pcs</p>	<p>I</p>  <p>Ø16mm Wooden Plugs 14Pcs</p>	<p>K</p>  <p>M4 x 30 mm Wood Screws 12 pcs</p>	<p>L</p>  <p>Ø8 x 30 mm Wood dower 4pcs</p>

# ASSEMBLY INSTRUCTION

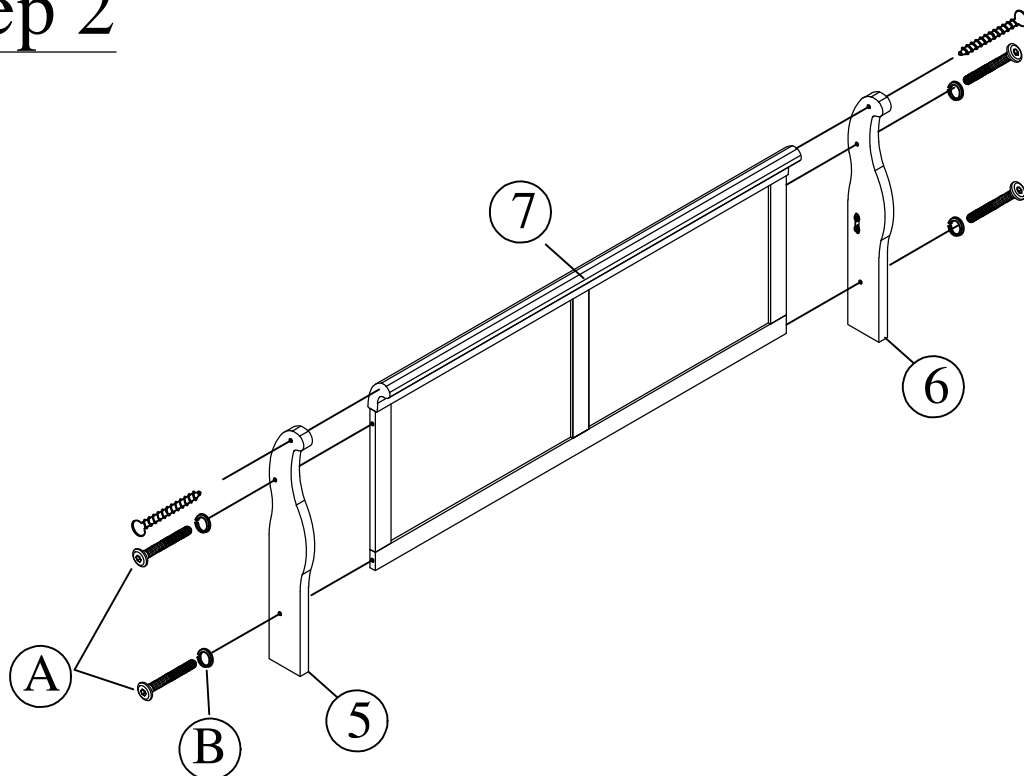
MODEL : #52691/ 52729/ 52731/ 52732 QUEEN BED

RE-TIGHTEN ALL BOLTS FOR A SNUG FIT. DO NOT OVER TIGHTEN.

## Step 1



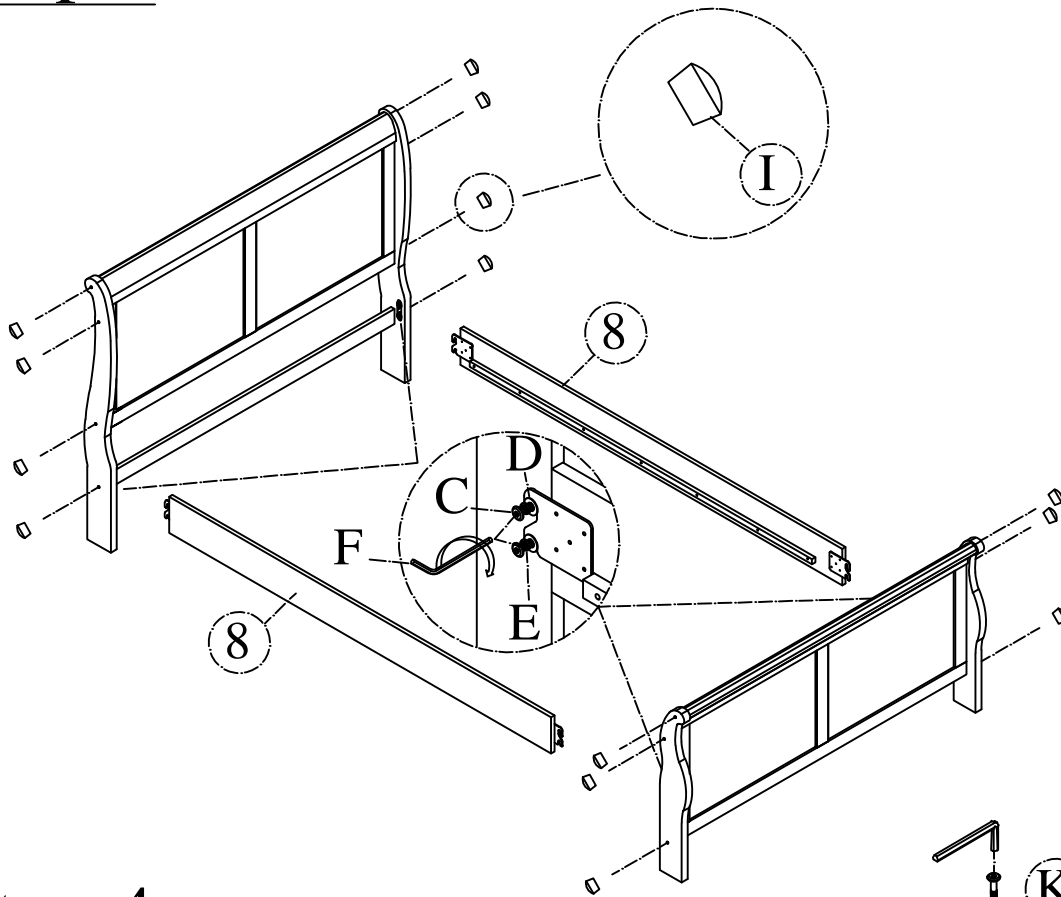
## Step 2



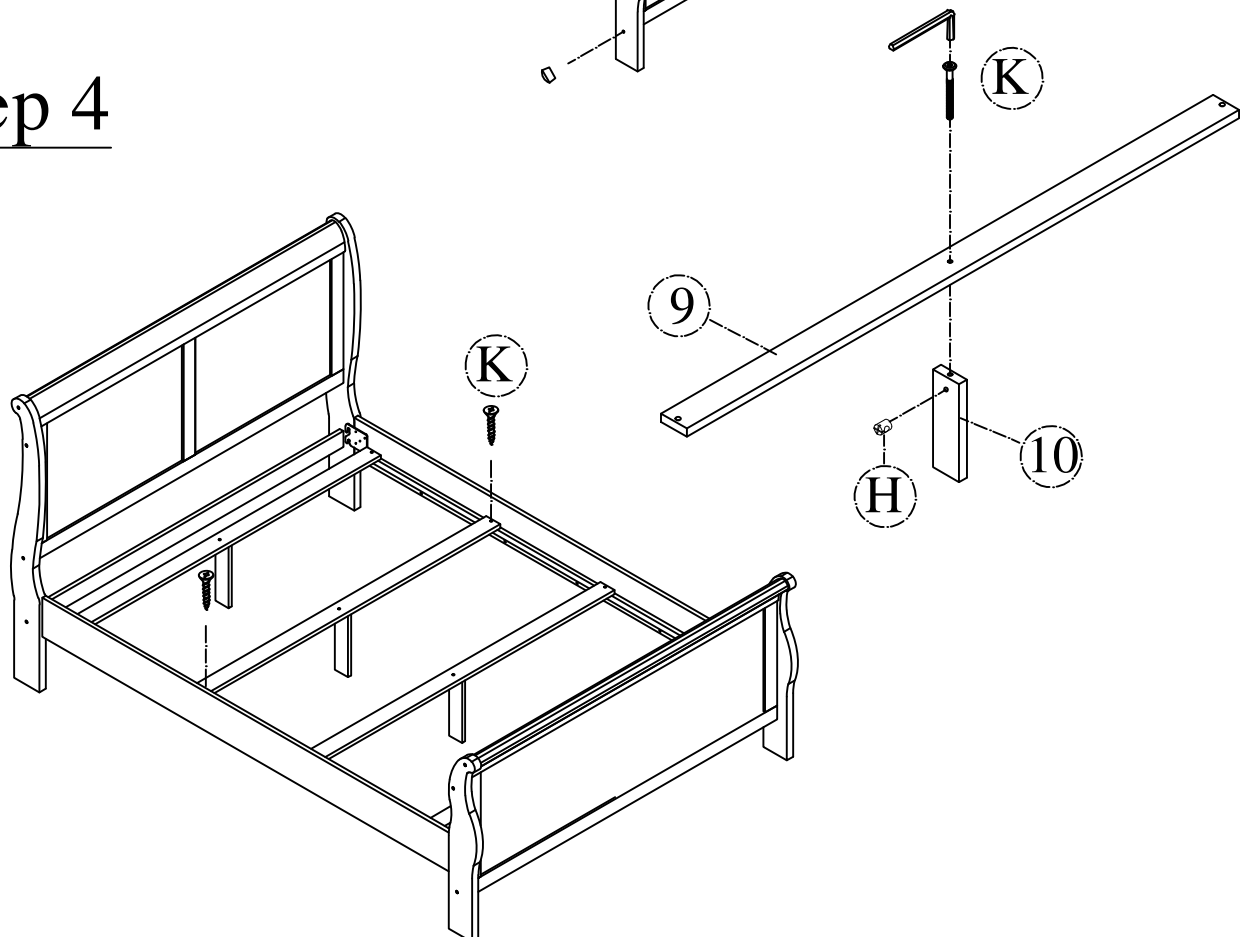
# ASSEMBLY INSTRUCTION

MODEL : #52691/ 52729/ 52731/ 52732 QUEEN BED

## Step 3



## Step 4



ASSEMBLY IS NOW COMPLETED AND THANKS FOR YOUR PURCHASE  
Made in VIETNAM